

MFZ-KT R32

Floor Mounted System

Inverter Heat Pump

M series

The MFZ-KT series is extremely versatile and is designed for wall attached installation at floor level.

The auto swing vane provides a more natural and comfortable airflow throughout the room and the lightweight, compact design makes installation easy. To aid control and energy saving, the controller has an inbuilt 7 day timeclock.

R32

Key Features & Benefits:

- Simple flat asymmetrical design that harmonises with all types of interiors
- Swing vane mode with autovane shutter
- Optimum air distribution through the use of three uniquely shaped vanes



Air Conditioning Product Information

MFZ-KT R32 Floor Mounted System Inverter Heat Pump

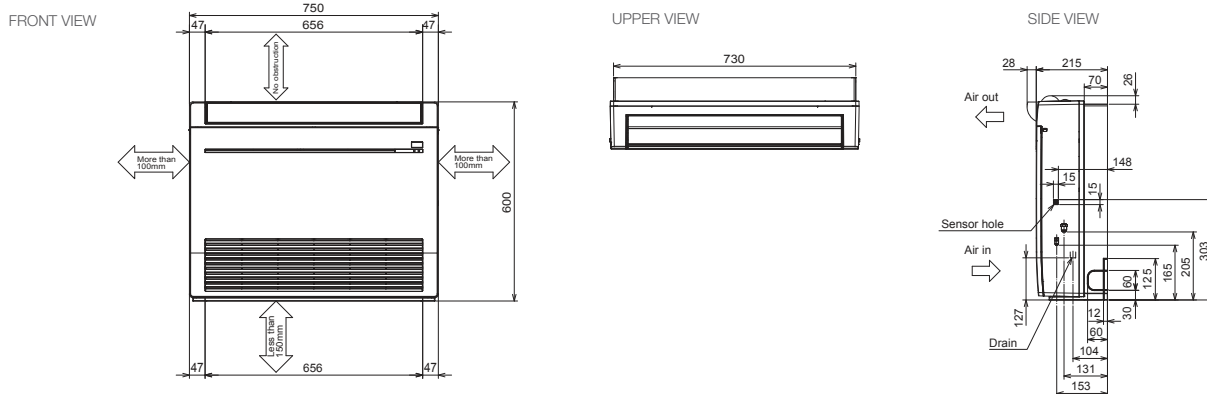
R32



MFZ-KT INDOOR UNITS		MFZ-KT25VG	MFZ-KT35VG	MFZ-KT50VG	
CAPACITY (kW)	Heating (nominal)	3.4 (1.3-4.2)	4.3 (1.1-5.0)	6.0 (1.5-7.2)	
	Cooling (nominal)	2.5 (1.6-3.2)	3.5 (0.9-3.9)	5.0 (1.2-5.6)	
	Heating (UK)	2.79 (1.07-3.44)	3.53 (0.9-4.10)	4.92 (1.23-5.90)	
	Cooling (UK)	2.45 (1.57-3.14)	3.43 (0.88-3.82)	4.90 (1.18-5.49)	
	SHF (nominal)	0.79	0.70	0.72	
COP / EER (nominal)		3.74 / 4.03	3.41 / 3.30	3.23 / 3.23	
SCOP / SEER (BS EN14825)		4.2 / 6.5	4.4 / 6.6	4.2 / 6.8	
ErP ENERGY EFFICIENCY CLASS		A+ / A++	A+ / A++	A+ / A++	
AIRFLOW (l/s)	Heating - Silent-Lo-Mi-Hi-SHi	58-67-93-122-162	58-67-93-122-162	100-128-157-193-233	
	Cooling - Silent-Lo-Mi-Hi-SHi	65-80-108-130-148	65-80-108-130-148	93-112-143-173-205	
PIPE SIZE mm (in)	Gas	9.52 (3/8")	9.52 (3/8")	12.7 (1/2")	
	Liquid	6.35 (1/4")	6.35 (1/4")	6.35 (1/4")	
SOUND PRESSURE LEVEL (dBA)		Heating/Cooling - Silent-Lo-Mi-Hi-SHi	19-23-30-37-44 / 19-24-31-37-41	19-23-30-37-44 / 19-24-31-37-41	29-35-40-44-49 / 28-32-37-42-48
SOUND POWER LEVEL (dBA)			54	54	60
DIMENSIONS (mm)		Width x Depth x Height	750 x 215 x 600	750 x 215 x 600	750 x 215 x 600
WEIGHT (kg)			14.5	14.5	15
ELECTRICAL SUPPLY			Fed by Outdoor Unit	Fed by Outdoor Unit	Fed by Outdoor Unit
FUSE RATING (BS88) - HRC (A)			6	6	6
INTERCONNECTING CABLE No. CORES			4	4	4

SUZ-M OUTDOOR UNITS		SUZ-M25VAR2	SUZ-M35VAR2	SUZ-M50VAR2	
SOUND PRESSURE LEVEL (dBA)		Heating/Cooling	46 / 45	48 / 48	49 / 48
SOUND POWER LEVEL (dBA)		Cooling	59	59	64
WEIGHT (kg)			30	35	41
DIMENSIONS (mm)		Width x Depth x Height	800 x 285 x 550	800 x 285 x 550	800 x 285 x 714
ELECTRICAL SUPPLY			220-240V, 50Hz	220-240V, 50Hz	220-240V, 50Hz
PHASE			Single	Single	Single
SYSTEM POWER INPUT (kW)	Heating/Cooling (nominal)	0.80 / 0.71	1.07 / 1.00	1.61 / 1.54	
	Heating/Cooling (UK)	0.68 / 0.61	0.91 / 0.86	1.37 / 1.32	
STARTING CURRENT (A)			3.7	5.0	8.0
SYSTEM RUNNING CURRENT (A)		Heating/Cooling [MAX]	3.7 / 3.0 [6.8]	5.0 / 4.1 [8.5]	8.0 / 7.1 [13.5]
FUSE RATING (BS88) - HRC (A)			10	10	20
MAINS CABLE No. CORES			3	3	3
MAX PIPE LENGTH (m)			20	20	30
MAX HEIGHT DIFFERENCE (m)			12	12	30
CHARGE REFRIGERANT (kg) / CO ₂ EQUIVALENT (t) - R32 (GWP 675) - 7m			0.65 / 0.44	0.90 / 0.61	1.20 / 0.81
MAX ADDITIONAL REFRIGERANT (kg) / CO ₂ EQUIVALENT (t) - R32 (GWP 675)			0.26 / 0.1	0.26 / 0.18	0.46 / 0.31

MFZ-KT25/35/50VG DIMENSIONS



Telephone: 01707 282880
email: air.conditioning@meuk.mee.com
les.mitsubishielectric.co.uk



@meuk_les
@green_gateway

Mitsubishi Electric Living
Environmental Systems UK

Mitsubishi Electric
Cooling and Heating UK

mitsubishielectricuk_les

Mitsubishi Electric Living
Environmental Systems UK

thehub.mitsubishielectric.co.uk

UNITED KINGDOM Mitsubishi Electric Europe Living Environment Systems Division, Travellers Lane, Hatfield, Hertfordshire, AL10 8XB, England. Telephone: 01707 282880 Fax: 01707 278881
IRELAND Mitsubishi Electric Europe, Westgate Business Park, Ballymount, Dublin 24, Ireland. Telephone: (01) 419 8800 Fax: (01) 419 8890 International code: (003531)

Country of origin: United Kingdom - Japan - Thailand - Malaysia. ©Mitsubishi Electric Europe 2020. Mitsubishi and Mitsubishi Electric are trademarks of Mitsubishi Electric Europe B.V. The company reserves the right to make any variation in technical specification to the equipment described, or to withdraw or replace products without prior notification or public announcement. Mitsubishi Electric is constantly developing and improving its products. All descriptions, illustrations, drawings and specifications in this publication present only general particulars and shall not form part of any contract. All goods are supplied subject to the Company's General Conditions of Sale, a copy of which is available on request. Third-party product and brand names may be trademarks or registered trademarks of their respective owners.

Note: The fuse rating is for guidance only. Please refer to the relevant databook for detailed specification. It is the responsibility of a qualified electrician/electrical engineer to select the correct cable size and fuse rating based on current regulation and site specific conditions. Mitsubishi Electric's air conditioning equipment and heat pump systems contain a fluorinated greenhouse gas, R410A (GWP:2088), R32 (GWP:675), R407C (GWP:1774), R134a (GWP:1430), R513A (GWP:631), R454B (GWP:466), R1234ze (GWP:7) or R1234yf (GWP:4). *These GWP values are based on Regulation (EU) No 517/2014 from IPCC 4th edition. In case of Regulation (EU) No.626/2011 from IPCC 3rd edition, these are as follows. R410A (GWP:1975), R32 (GWP:550), R407C (GWP:1650) or R134a (GWP:1300).

Effective as of May 2020

